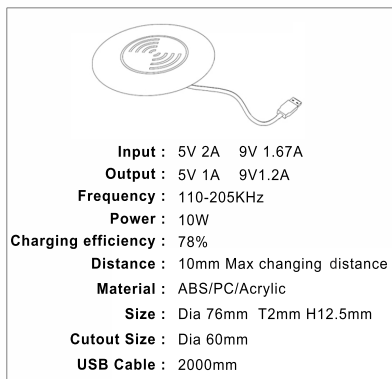
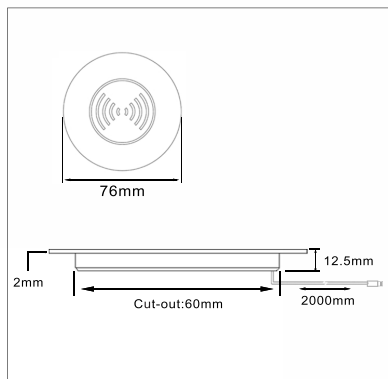


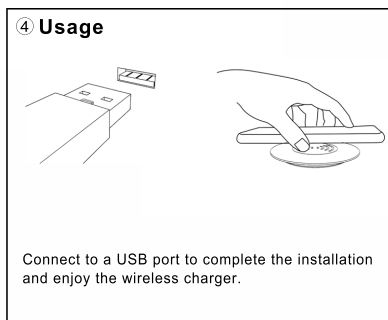
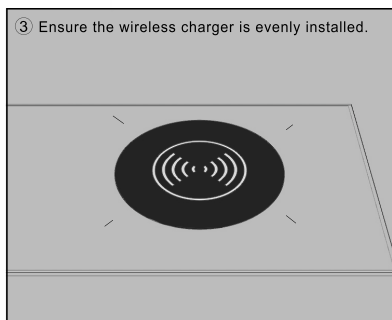
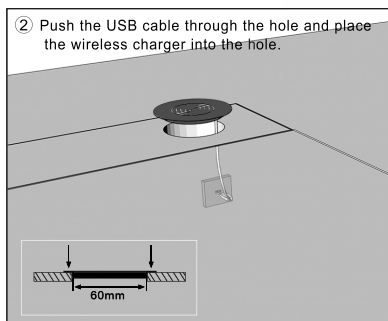
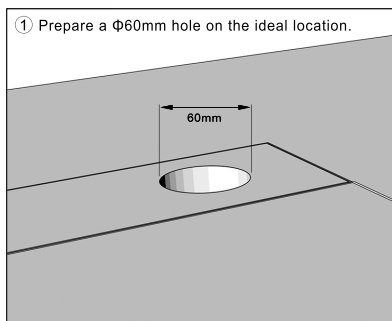
1. Specification



2. Product Dimension



3. Installation



CHL, GORSE MILL, OL9 9RJ

 EU Authorised Representative: Authorised Rep Compliance,
 Ground Floor, 71 Lower Baggot Street, Dublin, Ireland,
 D02P593.
